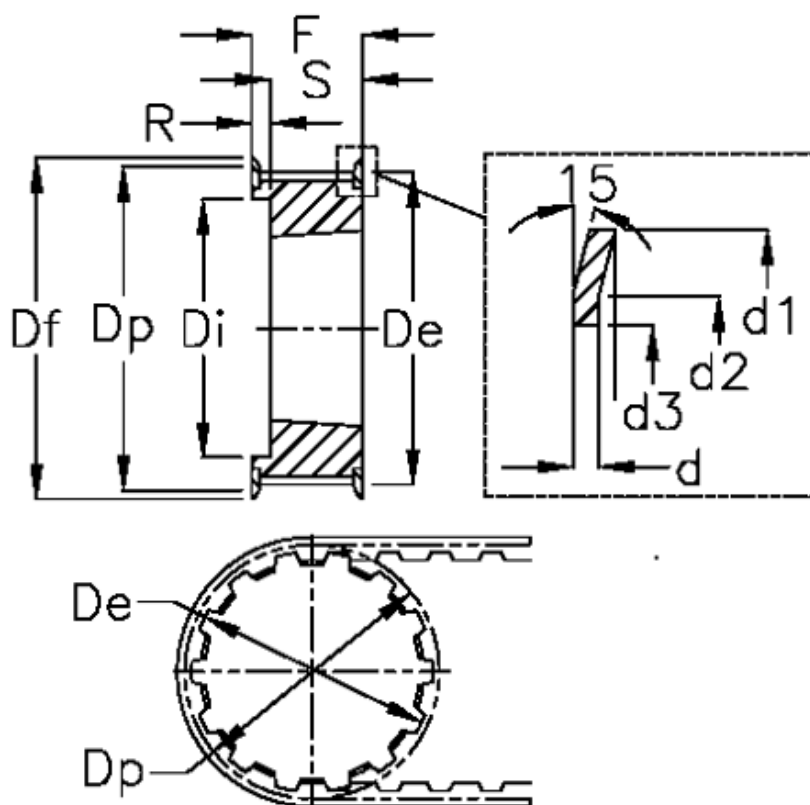


Article number: 604132022020

Description: Taper bored timing belt pulley
HTD 22 8M 20 TL 1008

Measures



d = 1.5	F = 28	Weight = 0.25
d1 = 60	Flange type = F22	Width = 20
d2 = 57	For bushing = 1008	
d3 = 47	Max bore = 25	
De = 54.65	r = 6	
Df = 60	S = 22	
Di = 37	Tooth number = 22	
Dp = 56.02	Type = 8M	